

**WARNING:** DISCONNECT POWER AT THE MAIN FUSE BOX BEFORE INSTALLATION.

**WARNING:**

This fixture is intended for installation in accordance with the National Electrical Code (NEC) and all local code specifications. If you are not familiar with code requirements, installation by a certified electrician is recommended.

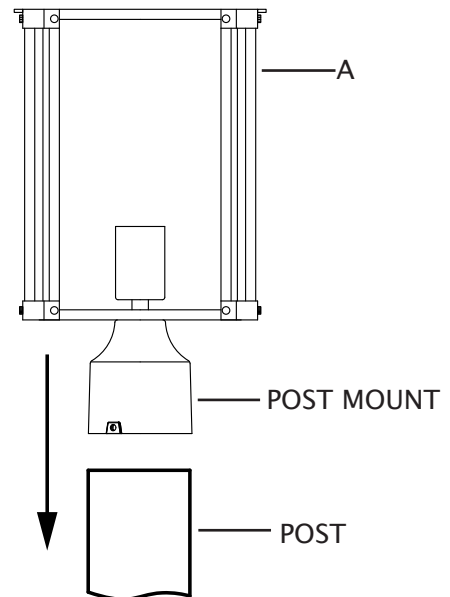
Before assembly, remove all parts and part packages from box. If anything is missing, please contact the retailer from which the product was purchased.

*elk* HOME

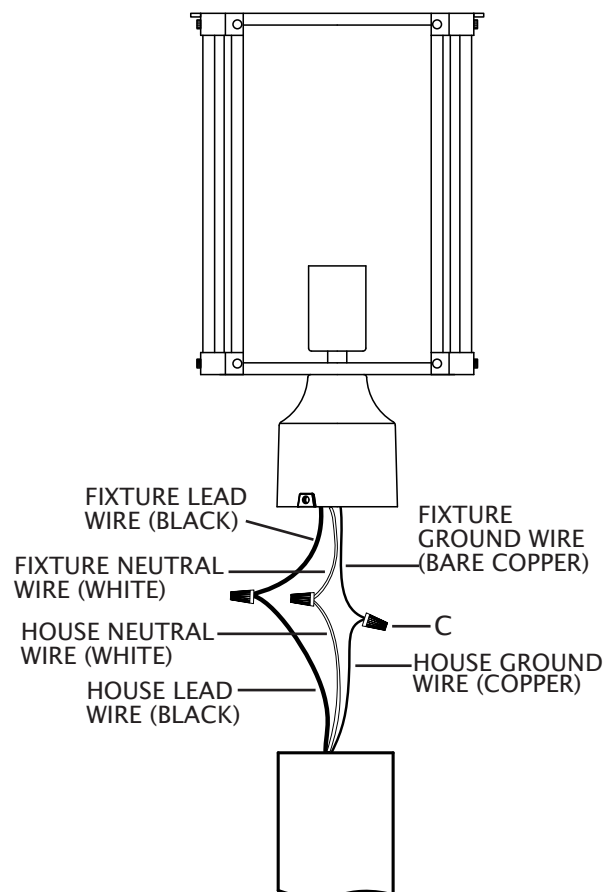
ANY QUESTIONS CALL: 800-613-3261  
M-F 8:00AM-6:00PM ET

ITEM#: 46724/1

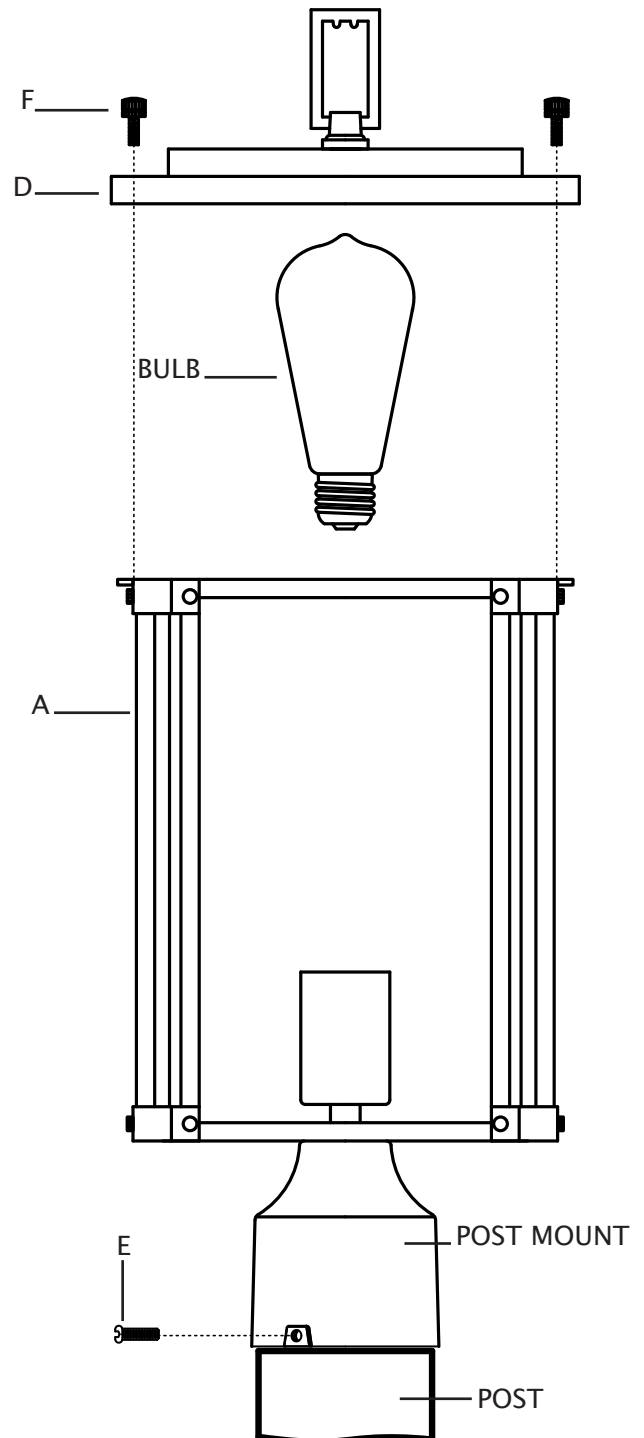
1. Carefully lower fixture (A) down over top of post. Allow fixture (A) to sit on post.
2. Mark position of holes in post mount onto post.
3. Remove fixture and set aside.
4. Drill a 3/16" hole at each marked location on post.



5. Strip 3/4" of insulation from ends of fixture wires.
6. Twist end of fixture ground wire (bare copper) and end of house ground wire (copper) together. Twist wire nut (C) onto ends of wires. Completely tighten wire nut (C).
7. Twist end of house lead wire (black) and end of fixture lead wire (black) together. Twist wire nut (C) onto ends of wires. Completely tighten wire nut (C). Twist end of house neutral wire (white) and end of fixture neutral wire (white) together. Twist wire nut (C) onto ends of wires. Completely tighten wire nut (C).
8. Wrap electrical tape (not included) around wire nuts (C) and wires. Ensure wires are securely fastened into wire nuts.



9. Carefully push wires down into post.
10. Place fixture (A) down over post. **DO NOT** pinch wires between fixture and post.
11. Align holes in post mount of fixture with holes in post.
12. Thread one fixture mounting screw (E) into each hole in post mount and into post. Tighten fixture mounting screws (E) to secure fixture to post.
13. Screw recommended bulb (E26 Edison bulb type, not included) into socket. Verify correct bulb wattage marked on socket of fixture. **WARNING: DO NOT** exceed maximum bulb wattage.
14. Place roof (D) on top of fixture (A). Align holes along top edge of roof (D) with holes in along top edge of fixture (A).
15. Thread one thumbscrew (F) down into each hole along edge of roof (D) and into holes along top of fixture (A). Tighten thumbscrews (F) to secure roof (D) to fixture (A). **DO NOT** over tighten.



**MAINTENANCE NOTE:** Only use a soft damp cloth to clean fixture as needed. **DO NOT** use harsh chemicals on fixture. Harsh chemicals may damage fixture.

Coastal conditions may cause mineral and residue build-up on fixture. It is recommended that customers in coastal areas clean all external surfaces of fixture once every two weeks with a wet cloth.